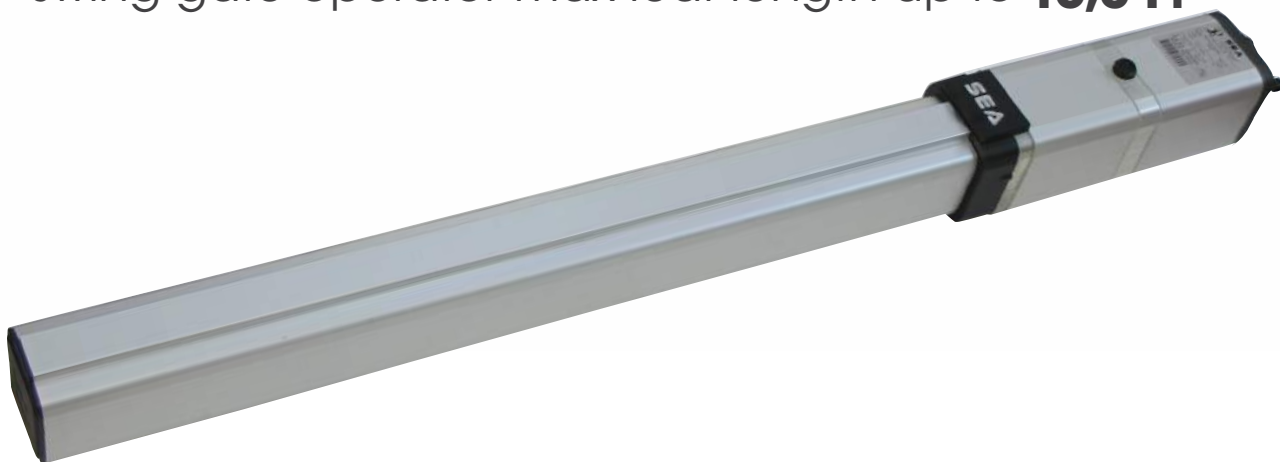




# HALF TANK 24V

## LOW VOLTAGE 24V HYDRAULIC

swing gate operator max leaf length up to **16,5 Ft**



Position Gate -  
Linear encoder



Release system accessible  
through special key for  
max security



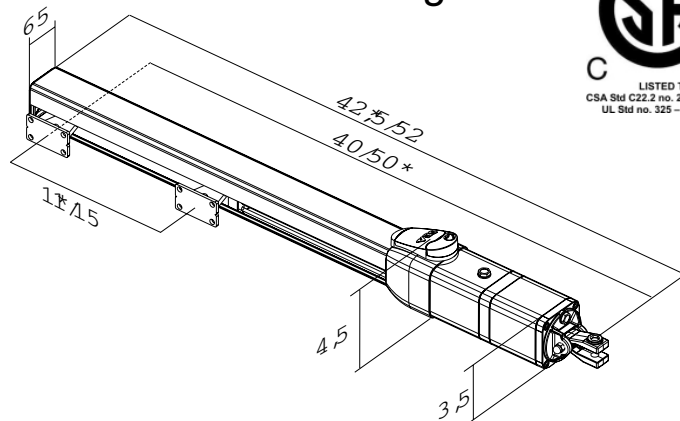
Round joint for stroke  
adjustment

- ▶ Hydraulic operator with lock in opening and closing (AC)
- ▶ Force and slowdown adjustment on USER 2 - 24V DG HYDRO control unit
- ▶ High anti-crushing safety
- ▶ Emergency batteries and solar panel SUNNY KIT (optional)
- ▶ 0.8 inches rod diameter
- ▶ Piston stroke 10.6 inches
- ▶ Integrated linear encoder for the best setting on reverse and position management
- ▶ Low consumption motor
- ▶ Standard aluminum oscillating back fixing fork

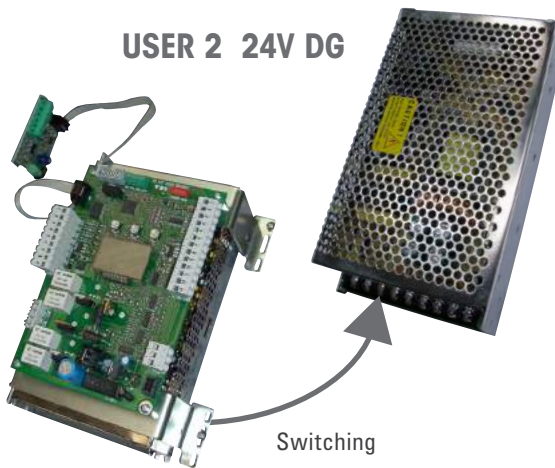
AC VERSION WITH LOCK IN OPENING  
AND CLOSING

WITH HYDRAULIC SLOWDOWN FOR A  
SMOOTH APPROACH OF THE LEAVES  
IN CLOSING

SPECIFICATIONS	HALF TANK 24V
Power supply	120V or 220V
Power Consumption (W)	40 W
Operating T° range (F°)	-4°F to 131°F*
Opening time 90° (sec)	12 sec
Cycles/hour	70
Duty	commercial-industrial
Protection class	IP55
Max leaf length	16,5 Ft
Max leaf weight	1.100 Lbs
Max opening angle (degrees)	90°/120°
Maximum force output	640 daNm
Anti-crushing protection	by pass / electronic
Linear encoder	POSITION GATE
Slowdown	hydraulic
Battery backup	STAR 1000



**USER 2 24V DG**



Switching

Voltage stabilizer for the protection of the automation from any interference, of the network or from the current load at 115V. It keeps the output voltage stable during sudden changes of the electric current and makes sure that the value of output voltage is correct and if it's not, it provides within a fraction of a second to bring it to the exact value.

**ACCESSORIES**



**G-LOCK**  
Magnetic Lock



**PROBE**  
Kit Probe to manage low temperature + card LE + cable 6 Ft

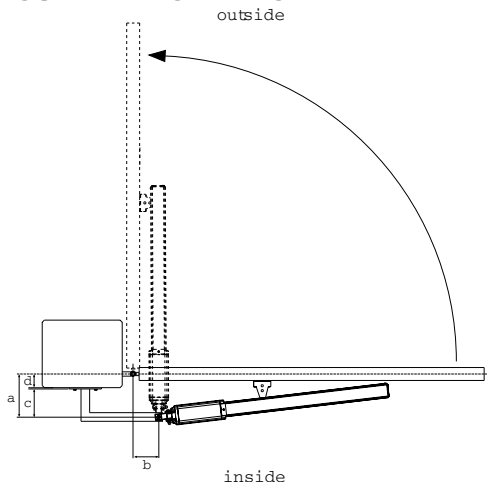


**LOCK KIT 12V**  
Electric lock Counter-plate for horizontal or vertical mounting external and internal cylinder



**Green oil**  
1 quarter of bottle

**OUT-WARD OPENING**



**IN-WARD OPENING**

